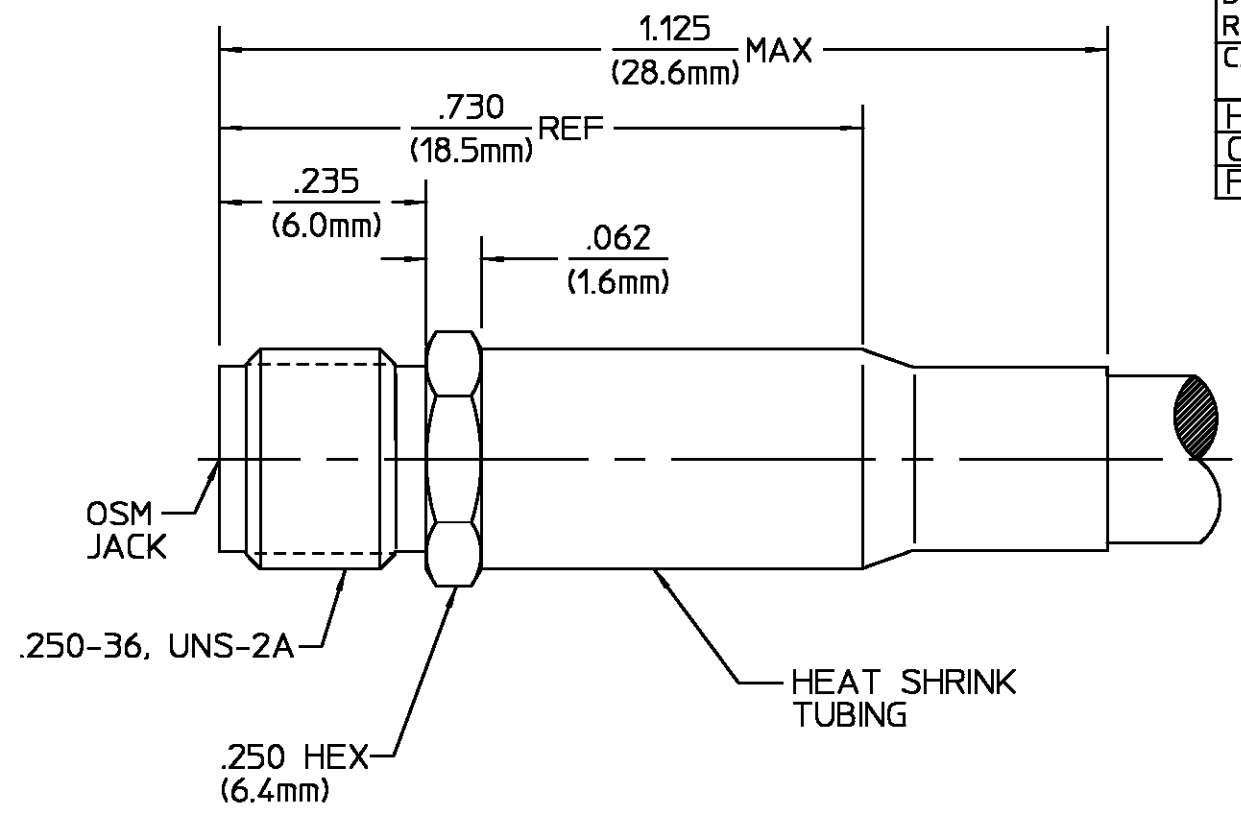


DESIGN FOR USE WITH RG. 141/U CABLE	
CABLE ENTRY DIAMETER MINIMUM	013
HOUSING	.120
CONTACT	.040
FERRULE	.216

REVISIONS			
REV	DESCRIPTION	DATE	APPROVED
013	REDRAWN ON CAD ECN 94-0474	7/20/95	<i>PRB</i>



ELECTRICAL	MECHANICAL	ENVIRONMENTAL
Nominal Impedance (Ohms) <u>50</u>	Interface Dimensions MIL-STD-348A, Fig. 310.2	Temperature Rating <u>-65°C To + 165°C</u>
Frequency Range (GHz) <u>0.5 To 12.4</u>	Recommended Mating Torque <u>7-10 in/LBs</u>	Vibration MIL-STD-202, Method 204, Condition D
Volt Rating (VRMS MAX) @ Sea Level <u>500</u>	Mating Characteristics: Insertion (MAX Lbs) <u>3</u>	Shock MIL-STD-202, Method 213, Condition I
VSWR <u>1.25 MAX</u>	Withdrawal (MIN Oz) <u>1</u>	Thermal Shock MIL-STD-202, Method 107, Condition B
Insertion Loss (dB MAX) <u>.06√f(GHz)</u>	Force to Engage and Disengage (In-Lbs MAX) <u>2</u>	Except High Temp <u>+85°C</u>
RF Leakage (dB MIN) <u>-(60-fGHz)</u>	Center Contact Captivation	Moisture Resistance MIL-STD-202, Method 106,
Corona, 70,000 Ft (VRMS MIN) <u>250</u>	Cable Retention: Axial Force (Lbs) <u>40</u>	Corrosion - MIL-STD-202, Method 101, Condition B, 5% salt spray
Dielectric Withstanding Voltage (VRMS MIN) @ Sea Level <u>1000</u>	Torque (In-Oz) <u>N/A</u>	
Contact Resistance (Milliohms MAX): Center Contact <u>3.0</u> , Outer Contact <u>5.0 *</u>	Weight (Grams) <u>TBD</u>	
Cable to Housing <u>0.5</u>		
RF High Potential @ Sea Level (VRMS MIN @ 5 MHz) <u>670</u>		
I.R.(Megohms MIN) <u>5,000</u>		

COMPONENT	MATERIAL	FINISH
HOUSING	STAINLESS STEEL PER ASTM-A484 AND ASTM-A582, TYPE 303	GOLD PLATE PER MIL-G-45204
DIELECTRIC	TFE FLUOROCARBON PER ASTM-D-1457	N/A
CENTER CONTACT	BERYLLIUM COPPER PER ASTM B 196, ALLOY C17300, CONDITION H	GOLD PLATE PER MIL-G-45204
SHRINK TUBING	HEAT SHRINKABLE POLYOLEFIN COMPOUND MIL-I-23053/4	N/A
FERRULE	COPPER OR BRASS ALLOY ROCKWELL F65 MAXIMUM	GOLD PLATE PER MIL-G-45204

UNLESS OTHERWISE SPECIFIED DIMENSIONS ARE IN INCHES TOLERANCE ON FRAC. DEC. ANGLES ± 1/64 ±.005 ± °	DRAWN BY BWC 7/7/68	AMP	AMP Incorporated 140 Fourth Avenue Waltham, MA 02451-7599	
	CHECKED BY PRB 7/13/68			
These drawings and specifications are the property of Omni Spectra Incorporated and shall not be reproduced or copied or used in whole or in part as the basis for the manufacture or sale of item(s) without written permission.	APPD BY D.NANIA 7/13/68	TITLE OSM STRAIGHT CABLE JACK SOLDER ATTACHMENT		
	USE ASS'Y PROCEDURE 408-04820 NO. AP. (20-041)	SIZE B	CODE IDENT NO. 26805	REV 013
		SCALE 5:1	2032-5002-00 SHEET 1 OF 1	